

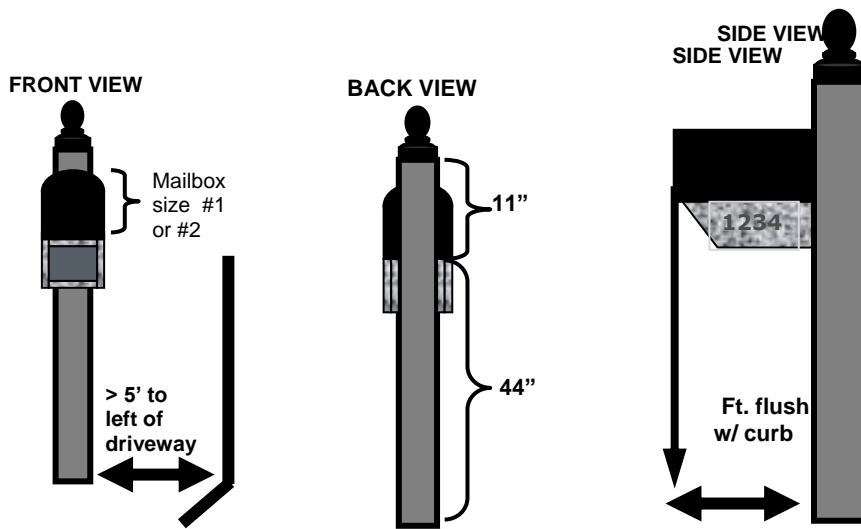
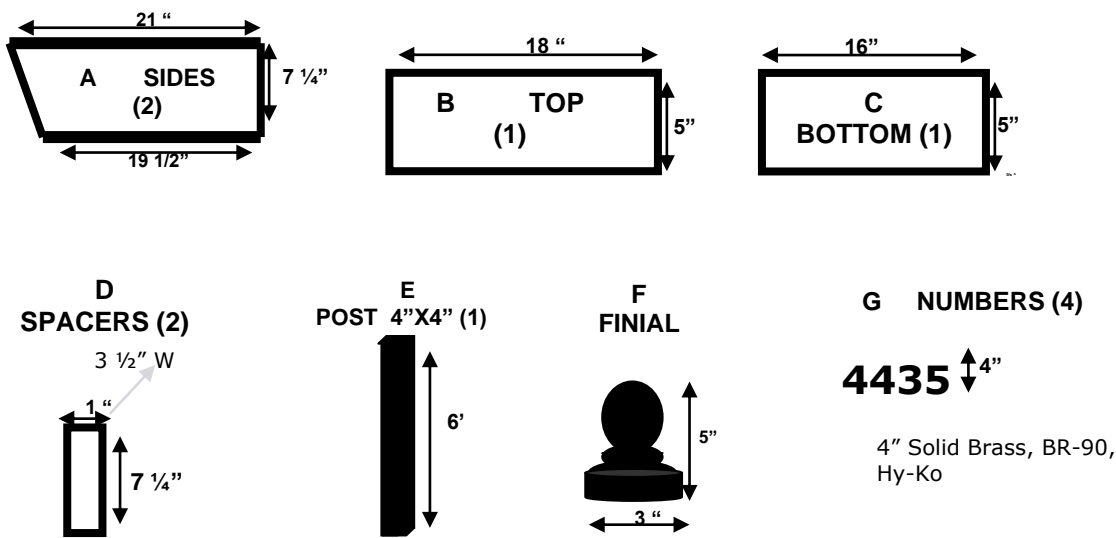
**7.18 Mailboxes/Paper Boxes:**

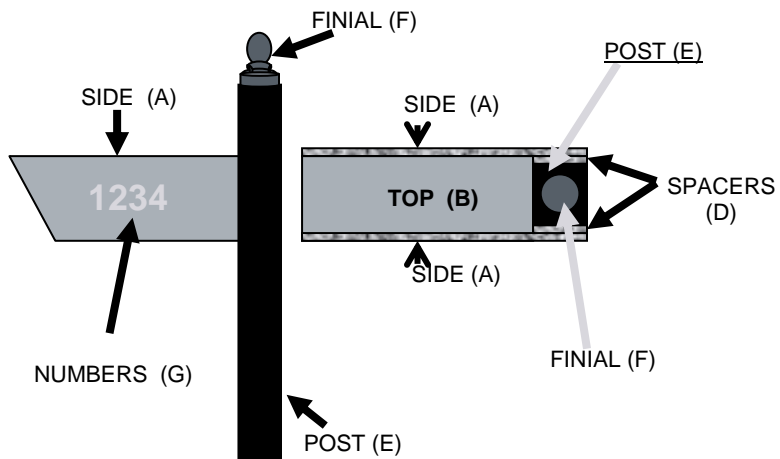
Mailboxes shall be located within five (5) feet of the driveway toward the center of the front property line with the front of the mailbox flush with curbing. Decorative flowers or anything drawing attention to mailboxes will not be permitted.

Combined Mailbox and Paperbox must conform to the configuration shown below. All wood material shall be pressure treated. Size of Mailbox shall be size #1, (if from Ace Hardware #5266176) or size #2, (Ace Hardware #5266192) and installed according to the U.S. Postal specification (for Landfall at Jamestown, bottom of mailbox to ground, 44”).

Mailbox, Paperbox, post, frame and finial will all be one color: **Benjamin Moore’s “Old Navy”, N096-4B (Soft Gloss, Latex, Exterior)**. Numerals must be **4” solid brass, BR-90, Hy-Ko** (Ace Hardware). Mailbox, numerals, screws and paint can be purchased from the “Ace Hardware” store, Governor’s Green, off John Tyler, RT. 5. Mention “Landfall at Jamestown” mailbox parts for a 10% savings. Ace Hardware also carries a pre-built wood mailbox unit consisting of a “post”, “frame”, “finial” and “Paperbox”. The pre-built unit is selling for \$75 (An Ace Hardware 10% discount does not apply to this item). Call for current pricing. You will have to add the mailbox, paint and numerals. Want to build your own? See “Specifications for Building a Mailbox” (Post/Frame/Paperbox/Finial) below.

**Specifications for Building a Mailbox**





## PARTS LIST

- 1 Mail box #1 or #2\*
- 1 4"x4"x6' pretreated post
- 1 5" H X 3" W pressure treated finial
- 1 1"x8"x8' pressure treated board
- 4 Solid Brass numbers BR-90, Hy-Ko\*
- 22 1 3/4" wood screws\*
- 1 pint Benjamin Moore "Old Navy"\*

\*Parts available at ACE Hardware. Mention "Landfall Mail Box parts" and receive a discount of 10%.